

Visual inspection of solar panels



- *3 variants (for frameless and framed modules)*
- *for variable module widths*
- *active and passive transfer (roller conveyors / conveyor belts)*

Visual inspection of framed modules

Panels can be easily flipped for visual inspection. The panel is transported lengthwise on rollers / toothed belts. They are adjusted for maximum width (the width is adjustable). Lateral guides support the motion of the panel. The panel is pneumatically secured to the conveyor rollers or belts so it can safely be rotated through 110° for easy inspection of the panel's sunnyside.



Insert panel

flip panel →

inspect panel



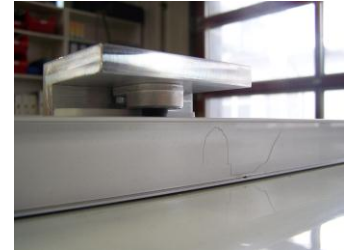
Positioning for transport setting



Positioning for inspection

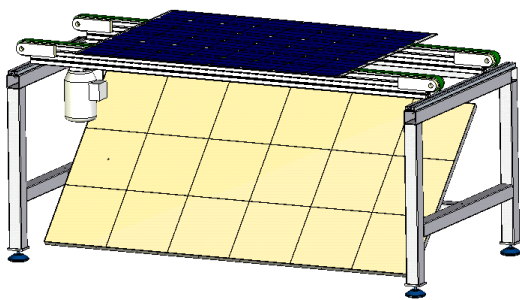


Module transport with rollers



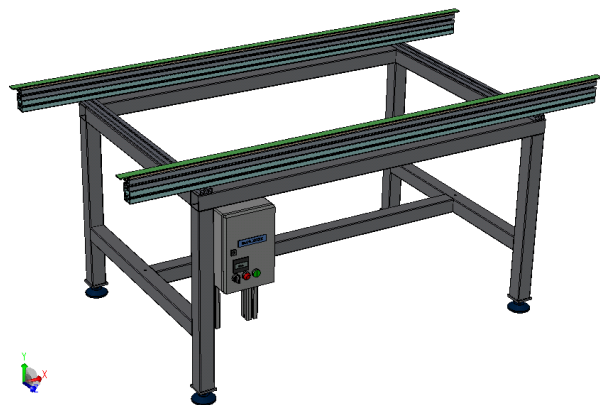
Pneumatic clamps hold the module

Visual inspection of frameless panels



Inspection of frameless panels is accomplished with a mirror underneath. The panel is transported lengthwise. Both toothed belts are adjusted for maximum width (the width is adjustable). Lateral guides support motion of the panel and feature bevels for easy insertion.

Non-glare lighting lights the module from underneath. The mirror surface is tiled (5x3 tiles, 30x30cm).



Inspection of framed panels sunny side up is accomplished with a transfer module that is equipped with start/stop controls.

All units are available with active or passive transfer (roller conveyors / drive belts).